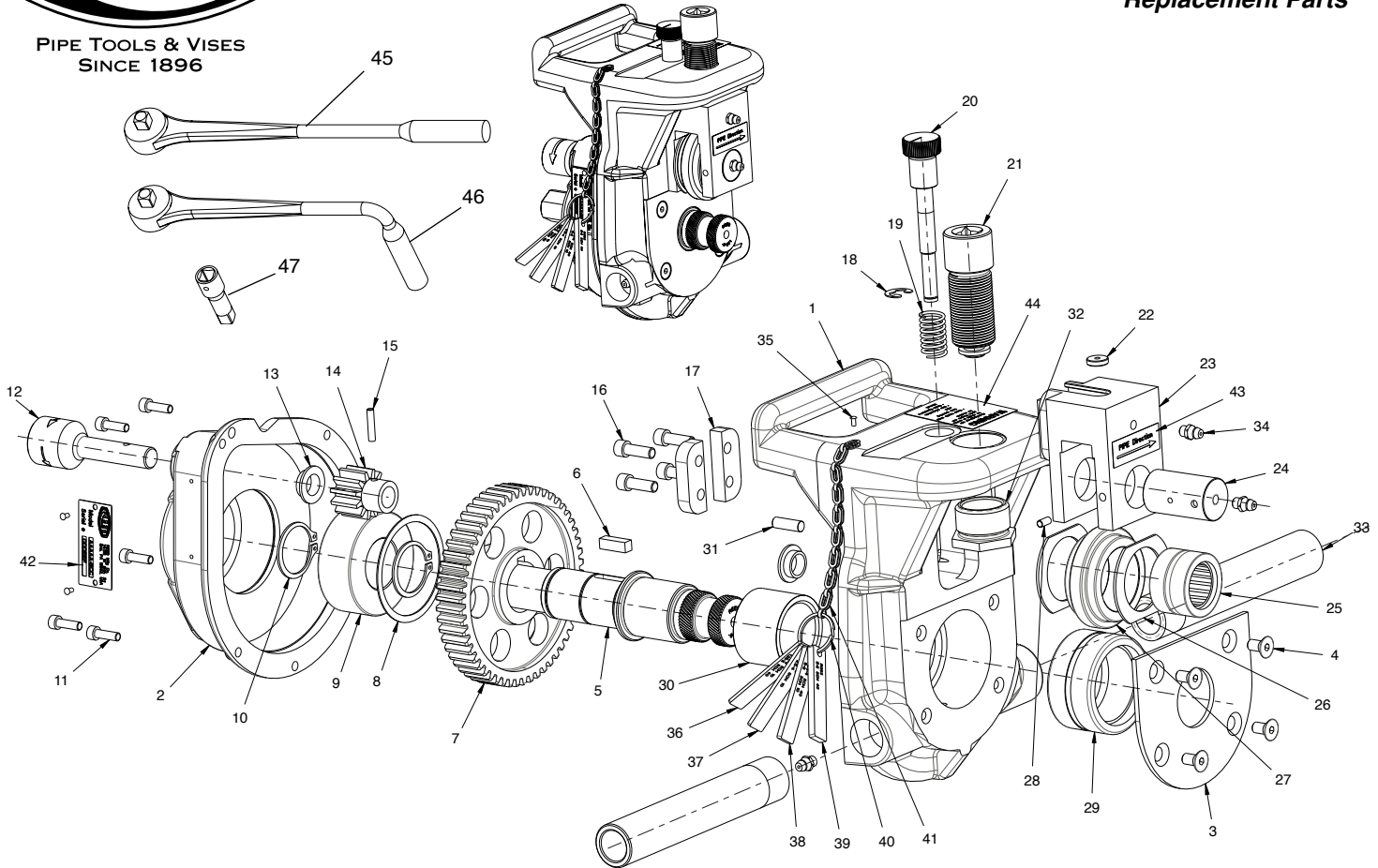




PIPE TOOLS & VISES  
SINCE 1896

# RGCOMBO2 Roll Groover

## Replacement Parts



### Parts List

Ref. No.	Description	Item Code	Quantity	Ref. No.	Description	Item Code	Quantity
1	Main Body	99200	1	24	Groove Roll Shaft	98505	1
2	Gear Housing	99201	1	25	Needle Bearing	40431	1
3	Cover Plate	99203	1	26	Thrust Washer	98590	2
4	1/4 - 20 x 1/2 Flat Head Socket	30216	4	27	Groove Roll	98589	1
5	Driveshaft	99219	1	28	Socket Set Screw	30214	1
6	Key 1/4 x 1/4 x 3/4	39208	1	29	Bottom Roller Bearing	40433	1
7	Gear, Manual Drive Shaft	99208	1	30	Roller Bearing - Inner Ring	40430	1
8	Retaining Ring	30207	1	31	Dowel Pin	38847	1
9	Bottom Thrust Bearing	40432	1	32	Threaded Bushing	99215	1
10	Retaining Ring	30211	2	33	Support Bar	98511	2
11	10 - 24 x 5/8 SHCS	39200	5	34	Grease Fitting	40338	3
12	Crank Shaft	98587	1	35	Standard Type U Zinc Plated	30133	3
13	Bronze Bushing	40461	2	36	Depth Gauge	98517	1
14	Gear, Crankshaft	99210	1	37	Depth Gauge	98514	1
15	Coil Spring Pin	38587	1	38	Depth Gauge	98513	1
16	1/4 - 20 x 5/8 SHCS	30105	4	39	Depth Gauge	98512	1
17	Slide Block Retainer	99218	2	40	Split Ring	40204	1
18	Retaining Ring	30209	1	41	Brass Safety Chain	40434	1
19	Compression Spring	30212	1	42	Metalphoto Tag	99204	1
20	Adjusting Screw	98509	1	43	Pipe Direction Sticker	59209	1
21	Feed Screw	98504	1	44	Roll Groove Sticker	50516	1
22	Thrust Washer	93044	1	45	Ratchet	40208	1
23	Slide Block	99216	1	46	Ratchet - Bent Handle	98593	1
				47	Socket Extension	48594	1

Reed Manufacturing Company  
1425 West 8th Street  
Erie, PA 16502 USA



Phone: 800-666-3691 or 814-452-3691  
Fax: 800-456-1697 or 814-455-1697  
www.reedmfgco.com