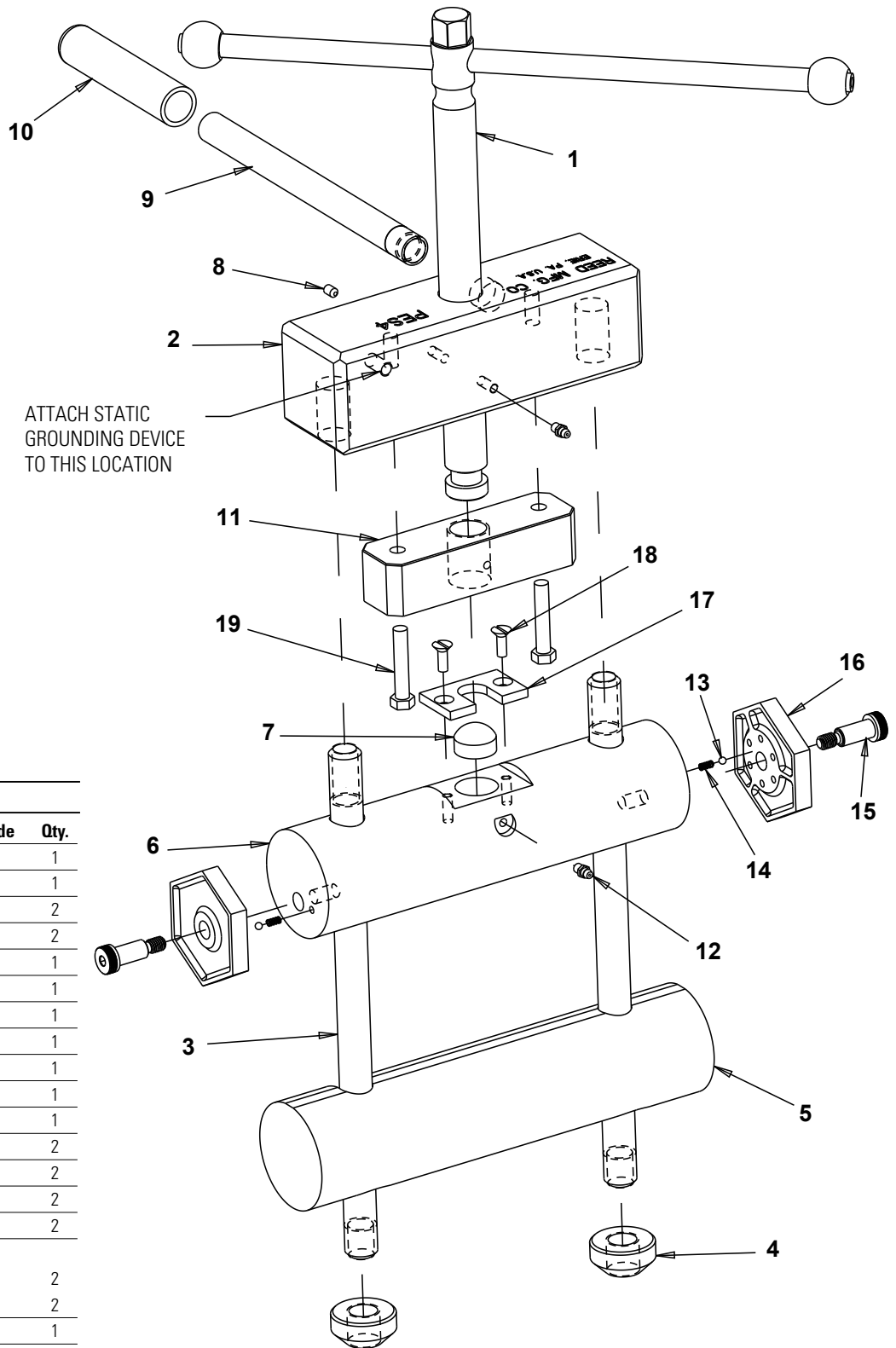




PIPE TOOLS & VISES  
SINCE 1896

# PE Squeeze-Off Tools (PES4 & PES4METRIC)

## Replacement Parts



### Parts List

Ref. No.	Description	Item Code	Qty.
1	FEED SCREW ASSEMBLY	98099	1
2	HEAD	98090	1
3	TIE ROD	98093	2
4	TIE ROD NUT	98096	2
5	BOTTOM BAR	98092	1
6	TOP BAR	98091	1
7	THRUST CAP	98097	1
8	SET SCREW	30019	1
9	HANDLE	98045	1
10	HANDLE GRIP	40070	1
11	THREADED INSERT	98098	1
12	GREASE FITTING	40338	2
13	BALL DETENT	93447	2
14	SPRING	93440	2
15	SHOULDER SCREW	38314	2
16	STOP (Choose best type)		
16a	IPS STOP	98094	2
16b	METRIC STOP	98121	2
17	SCREW RETAINER	98100	1
18	RETAINER SCREW	30004	2
19	THREADED INSERT BOLTS	30034	2

Reed Manufacturing  
1425 West 8th Street  
Erie, PA 16502 USA



Phone: 800-666-3691 or 814-452-3691  
Fax: 800-456-1697 or 814-455-1697  
www.reedmfgco.com